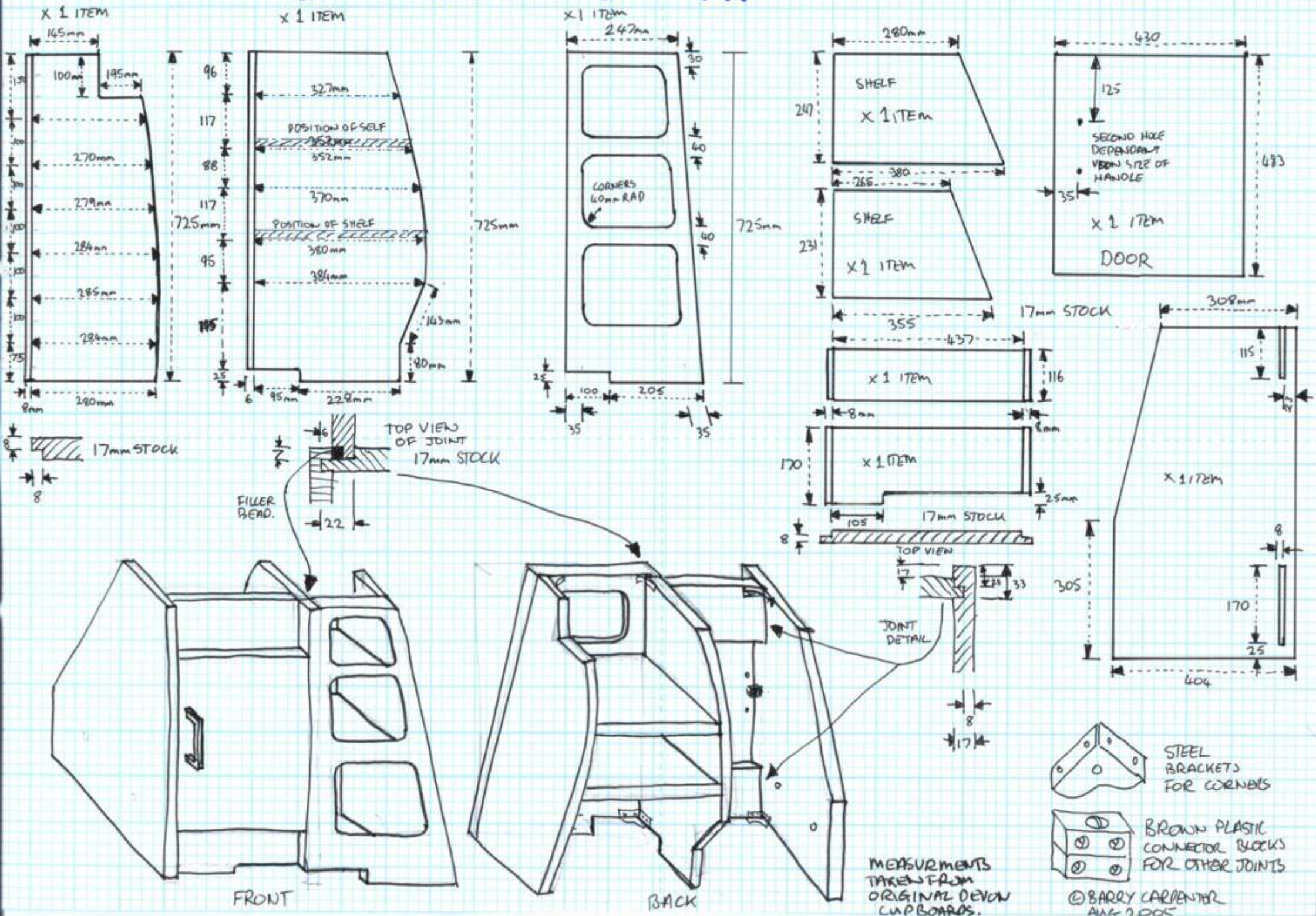
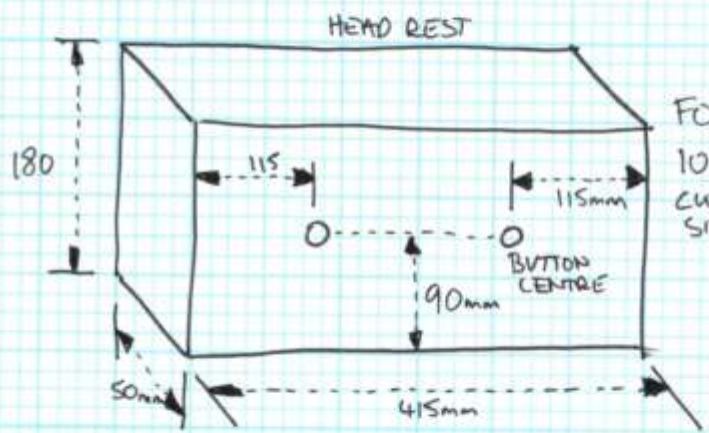


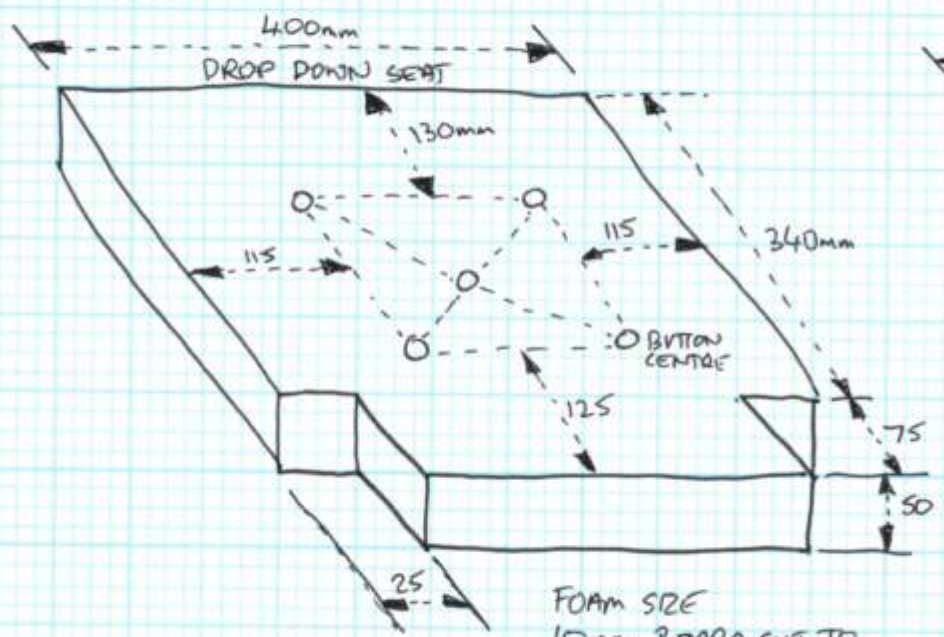
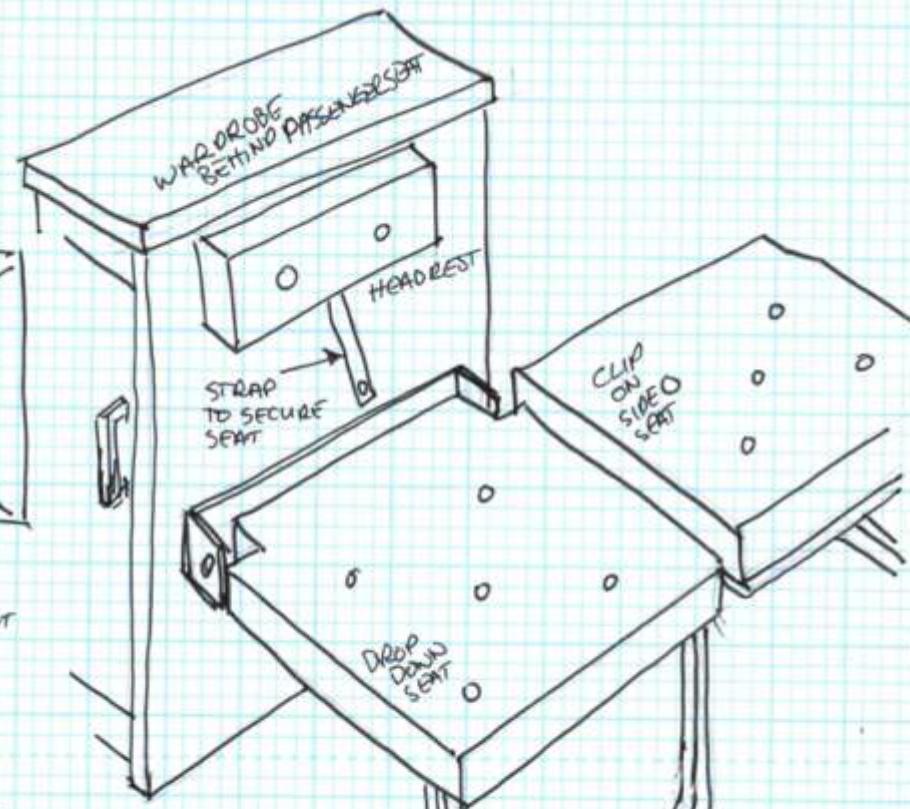
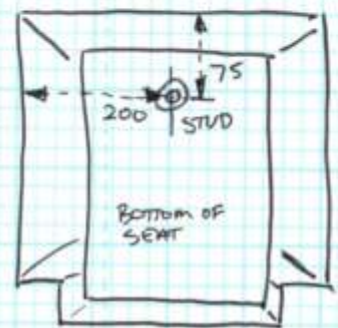
DEVON LOCKER "REAR" 1978



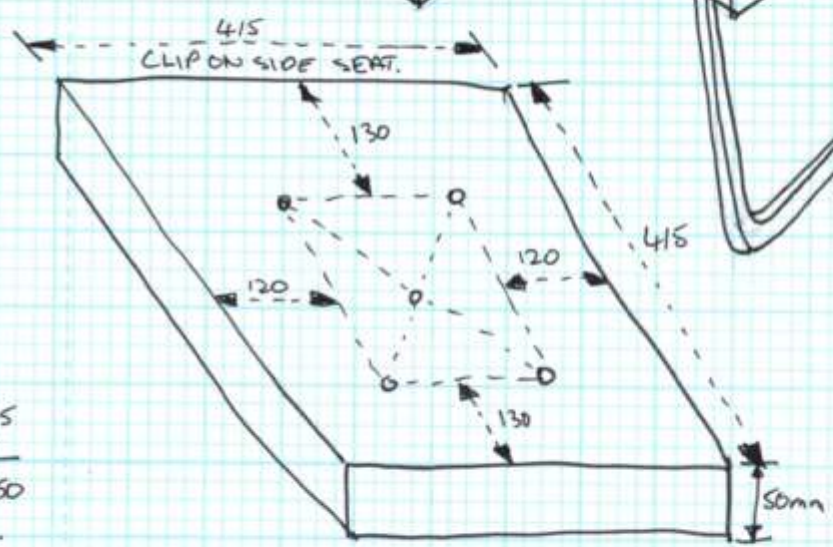
DEVON BUDDY SEATS 1978 BOARDS & CUSHIONS.



FOAM SIZE
10mm BOARD
CUT TO SAME
SIZE.



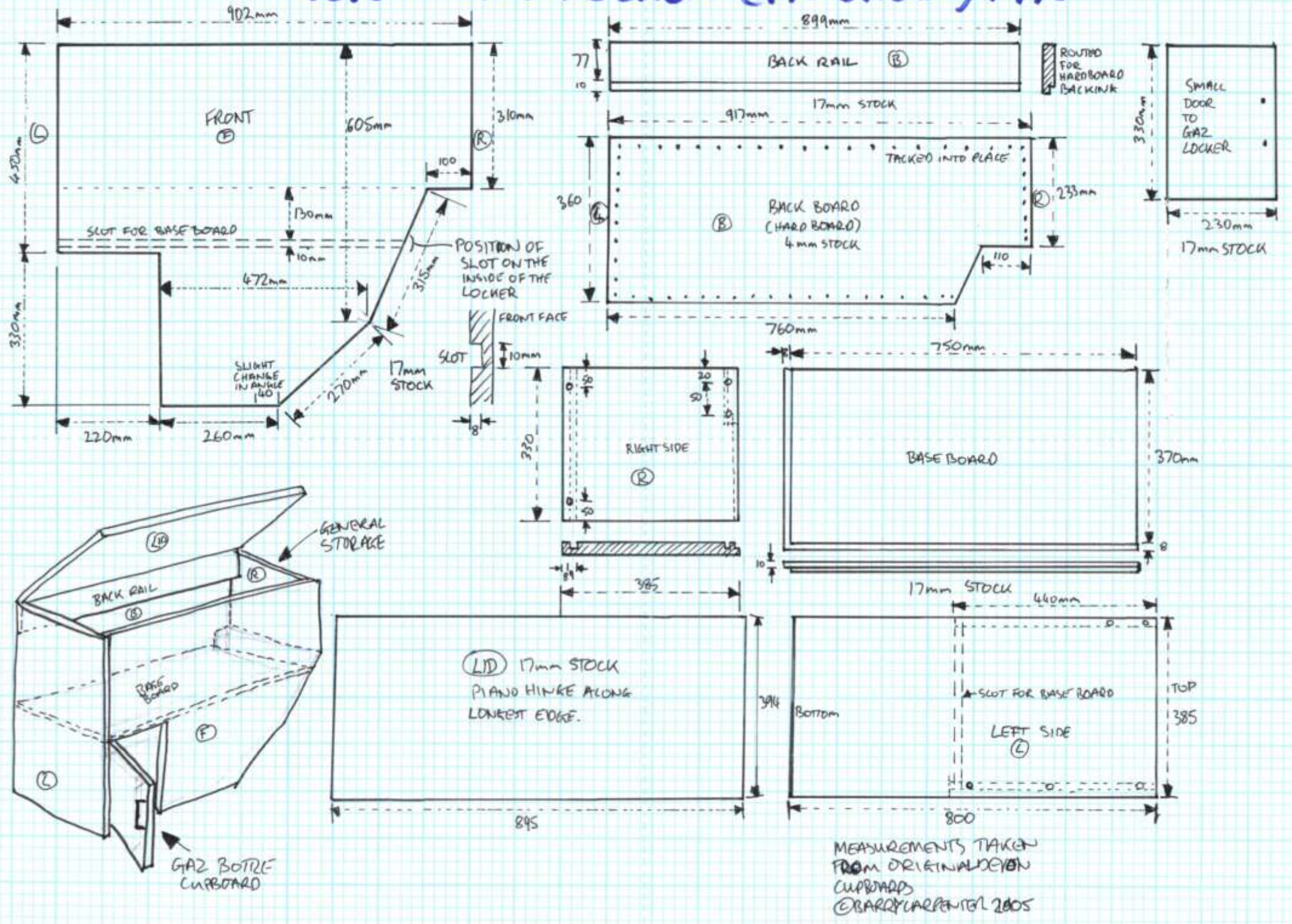
FOAM SIZE
10mm BOARD CUT TO
SAME SIZE & SHAPE



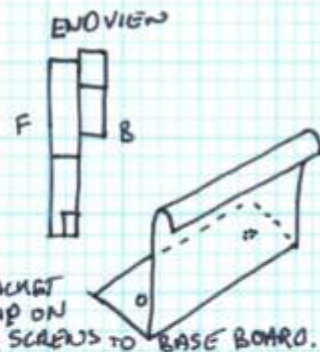
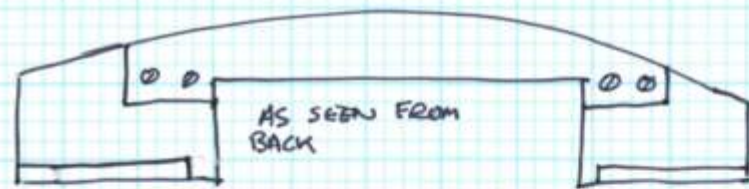
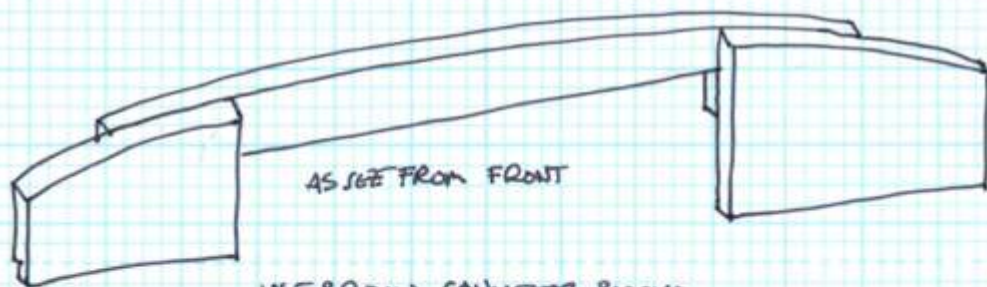
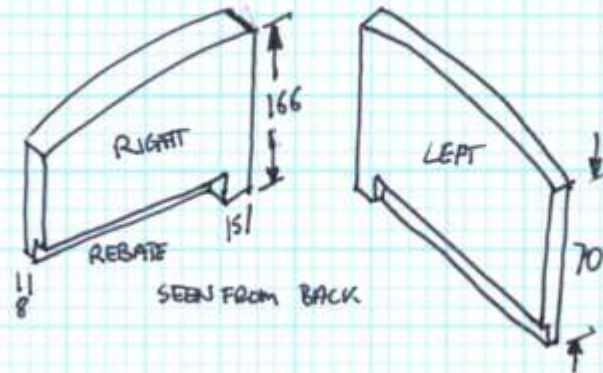
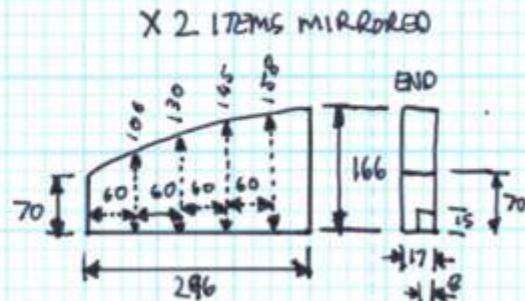
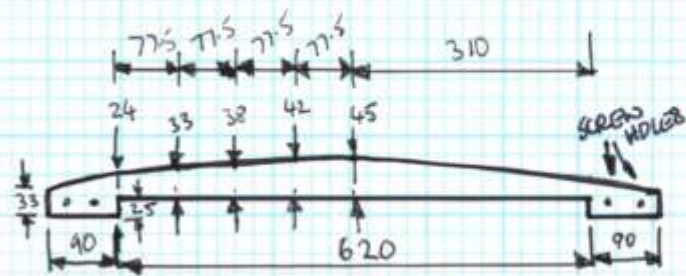
FOAM SIZE
10mm BOARD FOR BASE
CUT TO SAME SIZE & SHAPE.

MEASUREMENTS TAKEN
FROM ORIGINAL DEVON
CUPBOARDS
© BARRY CARPENTER 2005

DEVON "SIDE LOCKER" (GAS UNDER) 1978



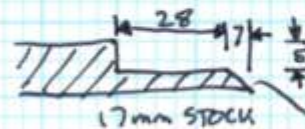
DEVON TOP LOCK MOONRAKER 1978



USE BRASS CONNECTOR BLOCKS TO ATTACH FRONT TO BASE.

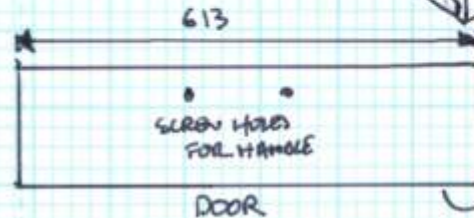
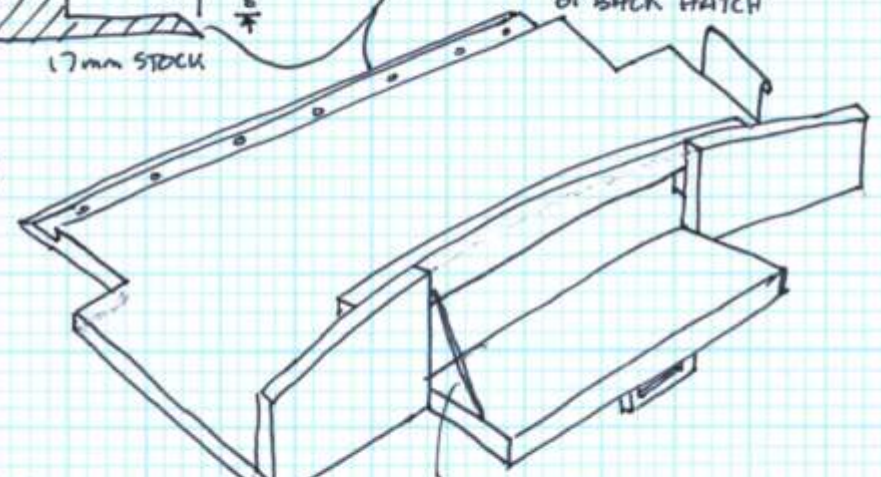
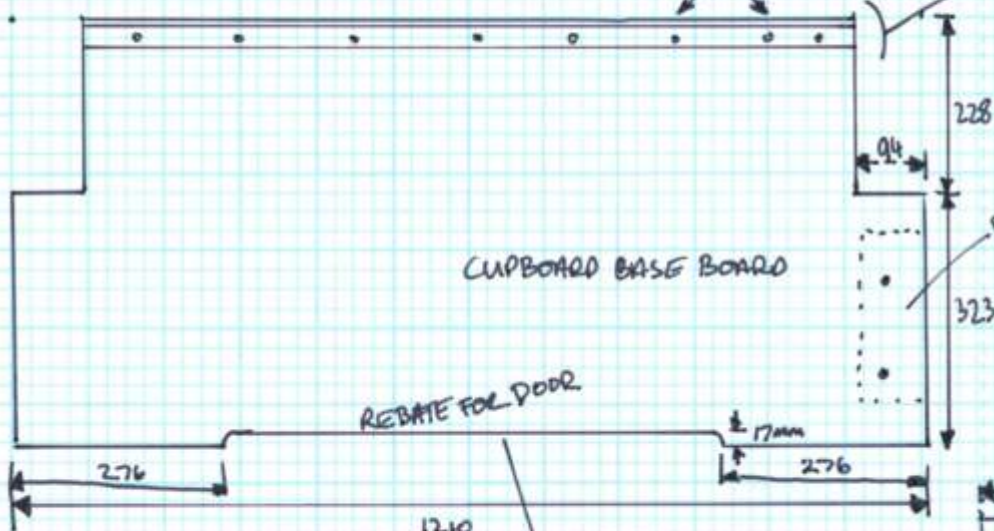
SCREW HOLES TO FIX TO PAN

DETAIL



ANGLED TO FIT REAR ROD BY BACK HATCH

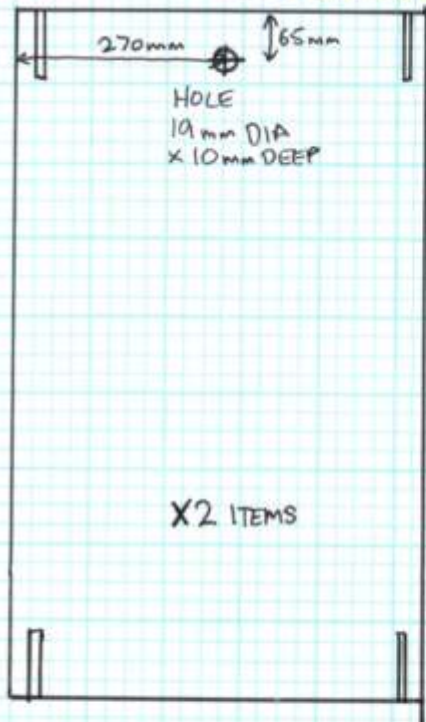
METAL BRACKET FIT ON TO LIP ON VAN SIDE & SCREWS TO BASE BOARD.



PIANO HINGE ON BOTTOM EDGE

MEASUREMENTS TAKEN FROM ORIGINAL DEVON CUPBOARDS
© BARRY CARPENTER 2005

DEVON WARDROBE 1978



FRONT & BACK
CUT THE SAME
900 X 540mm
17mm STOCK

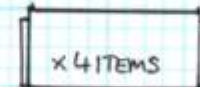
SLOTS CUT ON
INNER FACE ONLY
SLOT 6mm DEEP
X 10mm WIDE
X 90mm LONG
28mm IN FROM EDGE



DOOR OF WARDROBE
842 X 202mm
17mm STOCK

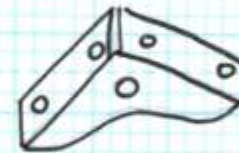


TOP OF WARDROBE
265 X 640mm
17mm STOCK

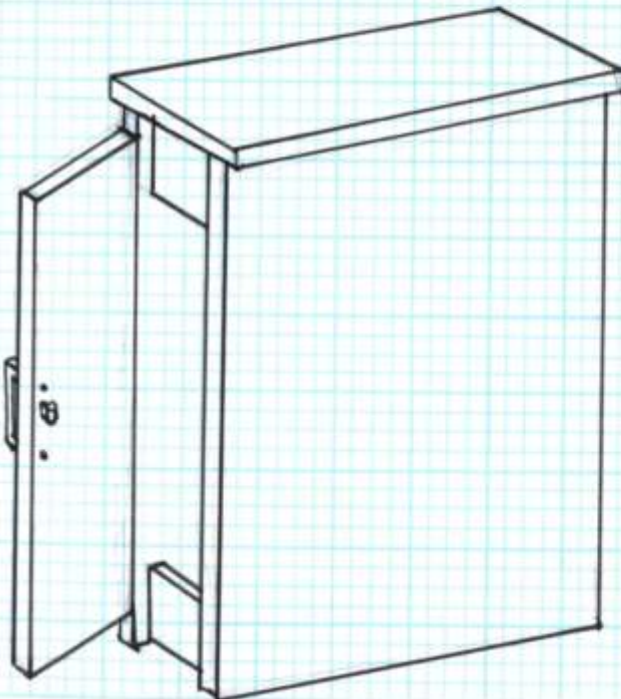


100 X 200mm
17mm STOCK

END VIEW
TO FIT SLOTS
IN FRONT &
BACK OF WARDROBE



STEEL CORNER
BRACKETS X 4



THERE IS A
DOOR AT BOTH
ENDS.
THE INTERNAL
CORNERS ARE
STRENGTHENED
BY STEEL
BRACKETS.
PIANO HINGES
ARE USED ON
BOTH DOORS.
HANDLES AND
CATCHES MUST
BE HEAVY DUTY
TO STOP THEM
FLYING ONLY
IN TRANSIT.

THE WARDROBE IS
BOLTED ON TO THE
BACK OF THE BULKHEAD
BEHIND THE PASSENGER
SEAT. IT IS ALSO
SCREWED TO THE FLOOR
BY 4 SCREWS.

THE BUDDY SEAT
BOLTS ON TO THE
REMAINING FACE
OF THE WARDROBE.